

# VRES Series Vandal Resistant Exit Sign

**100-277V**

**LM79 LM80**

**IP64**



## PROJECT INFORMATION

Project Name \_\_\_\_\_

Catalog No. \_\_\_\_\_

Date \_\_\_\_\_

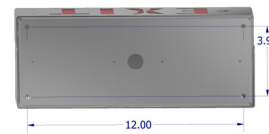
## DESCRIPTION

The ActiveLED VRES Series Emergency Exit Sign is designed to withstand the repeated extreme abuse that emergency exit signs can be subjected to. The Enclosure is fabricated from 12 Gauge Cold Rolled steel or stainless steel and aluminum for the heat sinking parts and stainless steel hardware.

Applications include: Federal, State and County prisons, jails and juvenile detention centers or public spaces and covered parking structures.

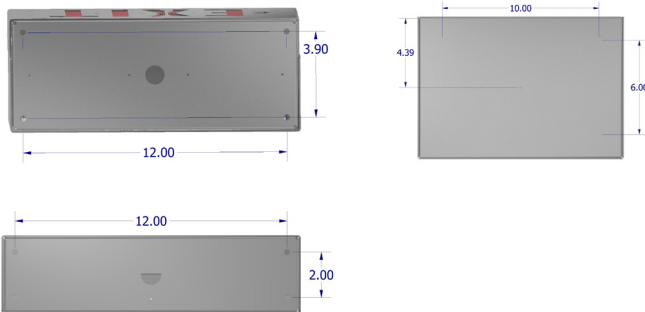


Wall Mount Exit Signs

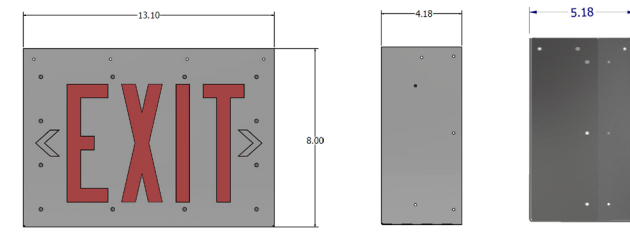


Ceiling Mount Exit Signs

## DIMENSIONS



Exit Sign with Emergency Light



## FEATURES

- Concise illumination designed to withstand repeated abuse makes this fixture suitable for correctional applications like jails, holding cells and prisons as well as public transport.
- High Impact Diffuser - Tested at over 6 joules.
- Anti-Ligature when mounted:
  - Top against ceiling.
  - Top and back against ceiling and wall.
  - When mounted below or at 3ft from the floor.
- Visible Battery and Status LED, accessible test button.
- Battery Backup Enabled - This option provides 48V DC support for an Emergency Battery Backup Unit (BBU sold separately) creating an Emergency LED Light Fixture.
- More than 3 hours (180 minutes) of light output on power failure
- Warranty - 10 Year Warranty on LED elements, fixture housing, and LED Driver.



LIGHT OUTPUT

**2,088** lm

WATTS

**8** W

LUMENS per WATT

**116** lm/W

LIGHT COLOR (CCT)

**5000** K

**ActiveLED**<sup>®</sup>  
Energy Efficient Lighting and Controls



# VRES Series Vandal Resistant Exit Sign

## PERFORMANCE DATA

AMBIENT TEMPERATURES	0 HOURS	45,000 HOURS	90,000 HOURS
77°F (25°C)	1.00	0.99	0.99
104°F (40°C)	1.00	0.98	0.96
131°F (55°C)	1.00	0.96	0.92
140°F (60°C)	1.00	0.95	0.90

Projected Lumen Maintenance (TM-21)

NOTE: Calculated using data collected according to LM-80 lumen maintenance on the LED package.

## GENERAL SPECIFICATIONS

Input Voltage	Auto-sensing, 100-277 Volts AC, 50/60 Hz	CCT	2700K, 3000K, 3500K, 4000K, or 5000K
Input Power	08 and 20 Input Watts	Housing	Fabricated aluminum for heat sinking parts, electroplated galvanized steel for the enclosure, stainless steel hardware
Power Factor	> 0.96 (at ~100-277 Volts)	Finish	Powder coated after fabrication
THD	Total Harmonic Distortion (THD) <20% (typical 9%)	Dimensions (Flood)	21" Wide x 8.5" High x 4.5" Deep (53.34cm x 21.59cm x 11.43cm)
Driver	Integral driver with aluminum housing, integrated intelligent controls and integral heat sink	Dimensions (Small)	13.1" Long x 8" High x 4.18" Deep
Operating Temperature	-58° F to 149° F (-50° C to 65° C)	Weight (Flood)	12 pounds (5.44kg)
Lumen Lifetime	L90/90K Hrs @ 60° C (90,000 Hrs with 90% Luminous Flux)	Weight (Small)	8 pounds (3.63kg)
LED Optics	IP64 rated, heat sink, thermally bonded LEDs., and patented thermal management mounting system		

## WARRANTY

Ten (10) Year Warranty - LEDs, Fixture, and Driver shall conform to its published specifications under normal usage and operating conditions including "no light loss" of more than 10% at the end of the period. LEDs will produce at least 90% of their initial light output with no color shift after 90,000 hours of operation.

## LISTINGS AND TESTS

cUL listed driver, CE, suitable for damp locations. RoHS compliant. IP64 Rated optical assembly. LM-79 and LM-80 info available. Conforms to FCC Part 15.19 Subpart B Class A. Made in USA - ARRA Compliant.

## ORDERING INFORMATION

Example: (WITH BBU OPTION) VRES-U ESS-RAN5006WH Example: (WITHOUT BBU OPTION) VRES-USS-RAN5006WH

VRES									
Style	Voltage	BBU	Mount	Diffuser	Arrows	Flood	CCT	Watts	Color
<b>VRES</b> Vandal Resistant Exit Sign	<b>U</b> 100-277 VAC, 50/60 Hz, 0-10 Volt Dimming	<b>E</b> Emergency Battery Backup	<b>SS</b> Single Sided Surface Mount	<b>R</b> Red, High Impact Resistant Polycarbonate	<b>A</b> Both Arrows	<b>FF</b> Forward Flood Lights	<b>50</b> 5,000K	<b>06</b> 8 Watt (Small Sign)	<b>WH</b> White
	<b>N</b> None <sup>1</sup>	Leave Blank for NO Emergency Battery Backup	<b>SC</b> Single Sided Ceiling Mount	<b>G</b> Green, High Impact Resistant Polycarbonate	<b>L</b> Left Arrow	<b>DF</b> Down Flood Lights	<b>40</b> 4,000K	<b>18</b> 20 Watt (with Flood Light)	<b>BK</b> Black
			<b>SP</b> Single Sided Pendant Mount		<b>R</b> Right Arrow	<b>N</b> No Flood Light	<b>35</b> 3,500K		<b>BR</b> Brown
			<b>DC</b> Double Sided Ceiling Mount		<b>N</b> No Arrows	<b>Small Exit Sign</b>	<b>30</b> 3,000K		<b>BZ</b> Bronze
			<b>DP</b> Double Sided Pendant Mount				<b>27</b> 2,700K		<b>CG</b> Charcoal
									<b>SL</b> Silver
									<b>X</b> Custom

<sup>1</sup> Requires remote driver. Consult factory.

<sup>2</sup> No AC Support.